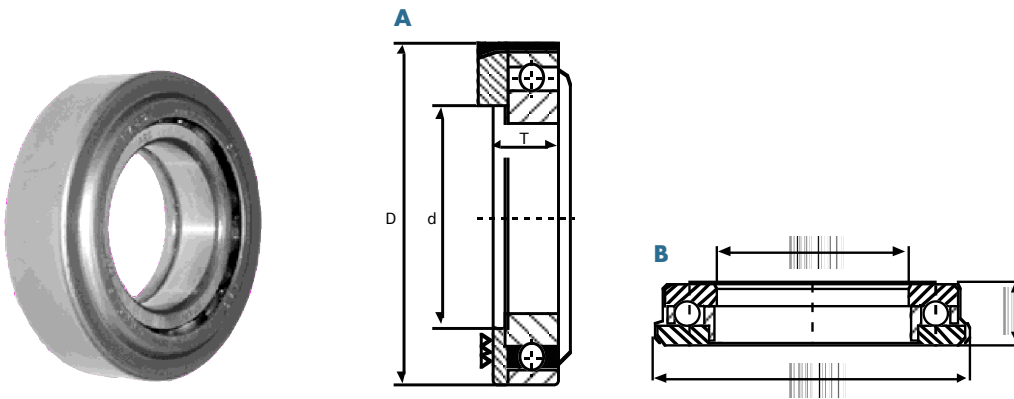


Other types of bearings

Otros tipos de rodamientos

06 Other types of bearings / Otros tipos de rodamientos

Clutch release bearings / Rodamientos de embragues



References
Referencias

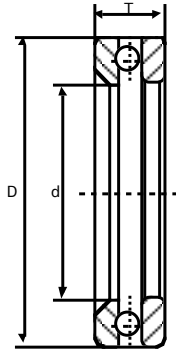
Weight
Pesos

Type
Tipo

Dimensions mm / Dimensiones mm

d	D	T		kg	
38,600	72,500	18,200	F 15091	0,260	B
41,500	66,000	16,100	F 15004	0,200	B
41,530	72,200	21,400	F 15064	0,335	B
52,400	83,8 / 89,0	20,300	F 15057	0,360	B
	86,0 / 90,2	20,550	F 15031	0,376	B
60,000	112,000	29,000	F 15005	1,200	A
63,500	99,9 / 105	23,000	F 15058	0,600	B
65,000	111,7 / 113,6	22,100	F 15060	0,660	B
69,840	111,7 / 113,6	22,100	F 15059	0,602	B
75,000	117,000	29,500	F 15070	0,990	A

Thrust bearings / Rodamientos axiales



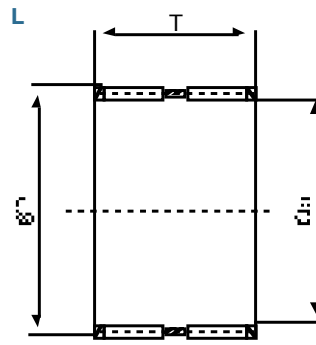
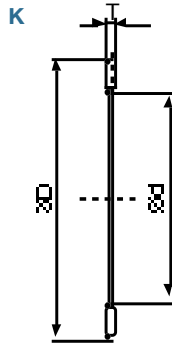
References
Referencias

Weight
Pesos

Dimensions mm / Dimensiones mm

d	D	T		kg
12,200	36,600	11,000	F 15034	0,050
14,200	36,600	11,000	F 15033	0,047

Needle bearings / Rodamientos de agujas



References
Referencias

Weight
Pesos

Load-Carga
(kN)

Dynamic
Dinámica

Static
Estática

Dimensions mm / Dimensiones mm

Tipo	d	D	T		kg	C	Co
L	20,000	26,000	16,8	A 17006	0,016	19,0	26,0
L	25,000	33,000	19,8	A 17004	0,032	27,0	37,3
L	25,400	38,100	24,0	A 17009	0,050	32,5	45,0
L	27,500	33,500	22,0	A 17008	0,030	17,3	27,5
L	38,100	47,624	44,4	A 17007	0,122	80,0	157,0
L	40,000	47,000	30,0	A 17005	0,074	35,5	85,0
K	40,000	60,000	3,0	A 17003	0,016	28,0	114,0
L	55,000	62,000	54,0	A 17002	0,220	78,0	148,0
L	70,000	78,000	46,0	A 17010	0,225	77,5	77,5
K	100,000	134,500	4,0	A 17001	0,094	80,0	560,0