



FAG



Housing units to JIS standard

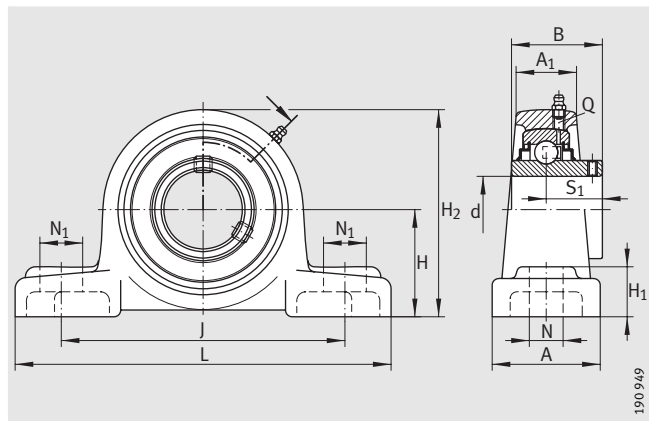
Expanded range of catalogue products:

- In addition to housings in accordance with the ISO standard, cast iron housings to the Japanese Industry Standard (JIS B 1559) are now also available
- Available as plummer block, two-bolt and four-bolt flanged housing units
- Manufactured to the renowned high INA quality standard
- Combined with the proven INA insert bearing type GYE..KRRB
- Sealed by three-piece preloaded lip seals
- Robust, ready-to-fit, versatile, economical
- Suitable for highly problematic environmental conditions such as severe contamination, stone impact, shocks

NEW

Cast iron housing units

to JIS standard



RASEY..JIS

Dimension table · Dimensions in mm

Shaft diameter d	Designation		Housing ²⁾	Insert bearing	Mass ≈kg	Dimensions			
	Unit ¹⁾	Competitor designation				d	H	J	L
20	RASEY 20-JIS	UCP 204	GG P 204	GYE 20-KRRB-FA107	0,63	20	33,3	95	127
25	RASEY 25-JIS	UCP 205	GG P 205	GYE 25-KRRB-FA107	0,79	25	36,5	105	140
30	RASEY 30-JIS	UCP 206	GG P 206	GYE 30-KRRB-FA107	1,3	30	42,9	121	165
35	RASEY 35-JIS	UCP 207	GG P 207	GYE 35-KRRB-FA107	1,41	35	47,6	127	167
40	RASEY 40-JIS	UCP 208	GG P 208	GYE 40-KRRB-FA107	1,68	40	49,2	137	184
45	RASEY 45-JIS	UCP 209	GG P 209	GYE 45-KRRB-FA107	2,07	45	54	146	190
50	RASEY 50-JIS	UCP 210	GG P 210	GYE 50-KRRB-FA107	2,57	50	57,2	159	206
55	RASEY 55-JIS	UCP 211	GG P 211	GYE 55-KRRB-FA107	3,47	55	63,5	171	219
60	RASEY 60-JIS	UCP 212	GG P 212	GYE 60-KRRB-FA107	4,53	60	69,8	184	241

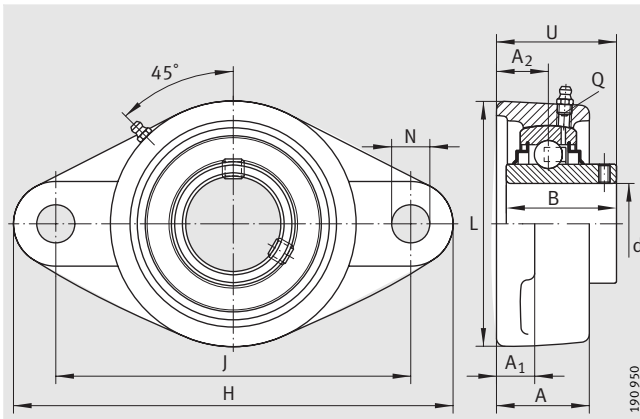
Dimension table · Dimensions in mm

Shaft diameter d	Designation		Housing ²⁾	Insert bearing	Mass ≈kg	Dimensions			
	Unit ¹⁾	Competitor designation				d	L	H	A ₁
20	RCJTY 20-JIS	UCFL 204	GG FL 204	GYE 20-KRRB-FA107	0,42	20	60	113	12
	RCJY 20-JIS	UCF 204	GG F 204	GYE 20-KRRB-FA107	0,6	20	86	–	12
25	RCJTY 25-JIS	UCFL 205	GG FL 205	GYE 25-KRRB-FA107	0,61	25	68	130	14
	RCJY 25-JIS	UCF 205	GG F 205	GYE 25-KRRB-FA107	0,76	25	95	–	14
30	RCJTY 30-JIS	UCFL 206	GG FL 206	GYE 30-KRRB-FA107	0,91	30	80	148	14
	RCJY 30-JIS	UCF 206	GG F 206	GYE 30-KRRB-FA107	1,17	30	108	–	14
35	RCJTY 35-JIS	UCFL 207	GG FL 207	GYE 35-KRRB-FA107	1,19	35	90	161	16
	RCJY 35-JIS	UCF 207	GG F 207	GYE 35-KRRB-FA107	1,47	35	117	–	16
40	RCJTY 40-JIS	UCFL 208	GG FL 208	GYE 40-KRRB-FA107	1,51	40	100	175	16
	RCJY 40-JIS	UCF 208	GG F 208	GYE 40-KRRB-FA107	1,91	40	130	–	16
45	RCJTY 45-JIS	UCFL 209	GG FL 209	GYE 45-KRRB-FA107	1,94	45	108	188	18
	RCJY 45-JIS	UCF 209	GG F 209	GYE 45-KRRB-FA107	2,28	45	137	–	18
50	RCJTY 50-JIS	UCFL 210	GG FL 210	GYE 50-KRRB-FA107	2,21	50	115	197	18
	RCJY 50-JIS	UCF 210	GG F 210	GYE 50-KRRB-FA107	2,54	50	143	–	18
55	RCJTY 55-JIS	UCFL 211	GG FL 211	GYE 55-KRRB-FA107	2,83	55	130	224	20
	RCJY 55-JIS	UCF 211	GG F 211	GYE 55-KRRB-FA107	3,3	55	162	–	20
60	RCJTY 60-JIS	UCFL 212	GG FL 212	GYE 60-KRRB-FA107	3,88	60	140	250	20
	RCJY 60-JIS	UCF 212	GG F 212	GYE 60-KRRB-FA107	4,12	60	175	–	20

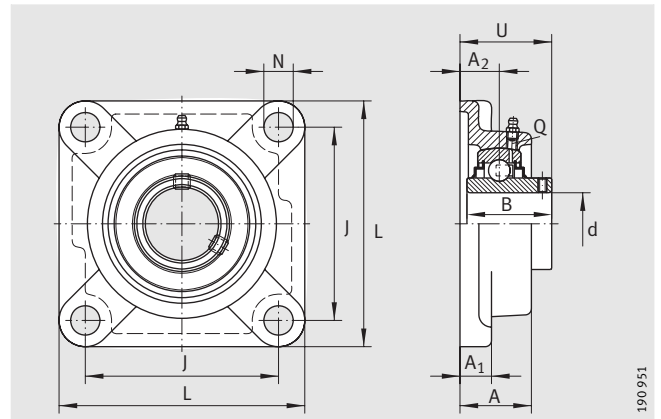
¹⁾ For a description of the products and the design of bearing arrangements, see “INA Catalogue 520”.

²⁾ The dimensional tolerances of the housings comply with ISO 8 062/CT10.

³⁾ Basic load ratings of the insert bearing.



RCJTY..-JIS



RCJY..-JIS

A	A ₁	H ₁	H ₂	N	N ₁	B	S ₁	Q	Basic load ratings ³⁾		Shaft diameter
									dyn. C _r	stat. C _{0r}	d
38	22	14	65	13	6	31	18,3	M6	12,8	6,6	20
38	23	15	71	13	6	34,1	19,8	M6	14	7,8	25
48	26	17	83	17	4	38,1	22,2	M6	19,5	11,3	30
48	27	18	93	17	4	42,9	25,4	M6	25,5	15,3	35
54	30	18	98	17	4	49,2	30,2	M6	32,5	19,8	40
54	30	20	106	17	4	49,2	30,2	M6	32,5	20,4	45
60	32	21	114	20	5	51,6	32,6	M6	35	23,2	50
60	34	23	126	20	5	55,6	33,4	M6	43,5	29	55
70	36	25	138	20	5	65,1	39,7	M6	52	36	60

N	B	J	A ₂	Q	A	U	Basic load ratings ³⁾		Shaft diameter
							dyn. C _r	stat. C _{0r}	d
12	31	90	15	M6	25,5	33,3	12,8	6,6	20
12	31	64	15	M6	25,5	33,3	12,8	6,6	25
16	34,1	99	16	M6	27	35,8	14	7,8	
12	34,1	70	16	M6	27	35,8	14	7,8	30
16	38,1	117	18	M6	31	40,2	19,5	11,3	
12	38,1	83	18	M6	31	40,2	19,5	11,3	35
16	42,9	130	19	M6	34	44,4	25,5	15,3	
14	42,9	92	19	M6	34	44,4	25,5	15,3	40
16	49,2	144	21	M6	36	51,2	32,5	19,8	
16	49,2	102	21	M6	36	51,2	32,5	19,8	45
19	49,2	148	22	M6	38	52,2	32,5	20,4	
16	49,2	105	22	M6	38	52,2	32,5	20,4	50
19	51,6	157	22	M6	40	54,6	35	23,2	
16	51,6	111	22	M6	40	54,6	35	23,2	55
19	55,6	184	25	M6	43	58,4	43,5	29	
19	55,6	130	25	M6	43	58,4	43,5	29	60
23	65,1	202	29	M6	48	68,7	52	36	
19	65,1	143	29	M6	48	68,7	52	36	

INA-Schaeffler KG

91072 Herzogenaurach (Germany)

Internet www.ina.com

E-Mail Info@de.ina.com

In Germany:

Phone 0180 5003872

Fax 0180 5003873

From other countries:

Phone +49 9132 82-0

Fax +49 9132 82-4950

Every care has been taken to ensure the correctness of the information contained in this publication but no liability can be accepted for any errors or omissions.

We reserve the right to make changes in the interest of technical progress.

© by INA · 2005, April

This publication or parts thereof may not be reproduced without our permission.

TPI 116