

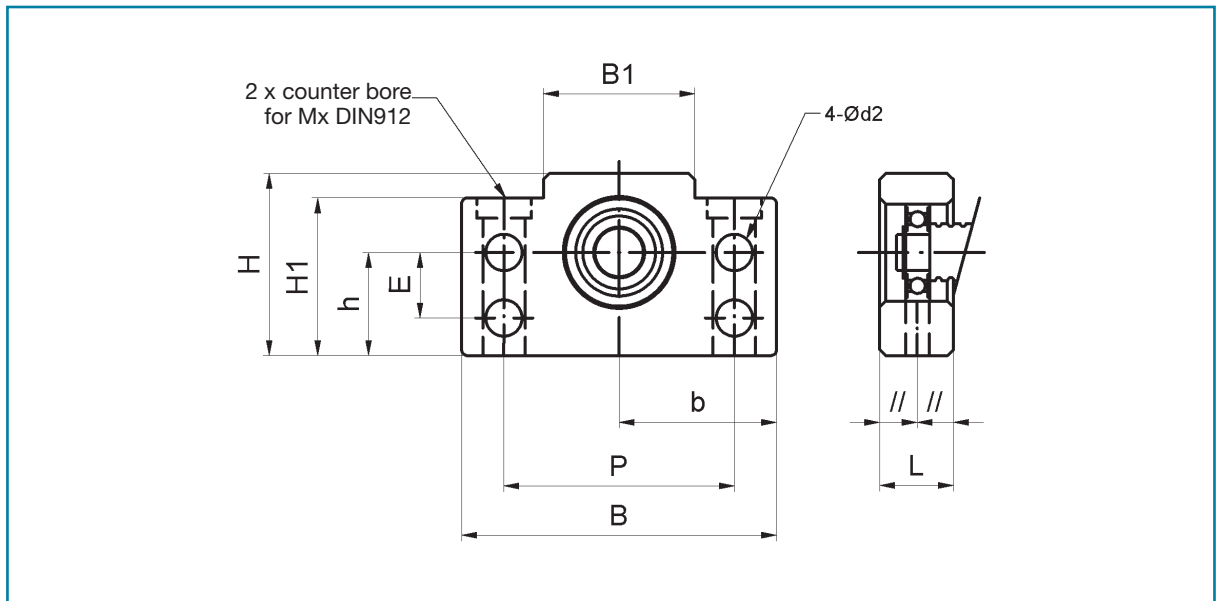


Floating bearing unit BF

The floating bearing unit consists of:

- Bearing housing made of black oxidized steel
- Deep grooved ball bearing
- Retaining ring

Suitable for standard spindle ends type S1 (see page 22)



Unit	Spindle Nominal Diameter	Pitch	d1	L	B	H	b ±0,02	h ±0,02	B1	H1	E	P	d2	Mx	Bearing	Safety ring DIN471	Weight [kg]
BF10	16	4 / 5	10	20	60	39	30	22	34	32,5	15	46	5,5	6	608ZZ	8x1	0,3
	14	2															
BF12	16	10/ 16	12	20	60	43	30	25	34	32,5	18	46	5,5	6	6000ZZ	10x1	0,35
	20	4 / 5															
BF15	20	10 / 20	15	20	70	48	35	28	40	38	18	54	5,5	6	6002ZZ	15x1	0,4
BF17	25	5/ 10/ 25	17	23	86	64	43	39	50	55	28	68	6,6	8	6203ZZ	17x1	0,75
BF20	32	10	20	26	88	60	44	34	52	50	22	70	6,6	8	6004ZZ	20x1,2	0,77
BF25	32	4 / 5 / 20/ 32	25	30	106	80	53	48	64	70	33	85	9	10	6205ZZ	25x1,2	1,45
BF30	40	5 / 10 / 40	30	32	128	89	64	51	76	78	33	102	11	12	6206ZZ	30x1,5	1,95
BF35	50	10 / 20	35	32	140	96	70	52	88	79	35	114	11	12	6207ZZ	35x1,5	2,25
BF40	50	50	40	37	160	110	80	60	100	90	37	130	14	16	6208ZZ	40x1,75	3,3