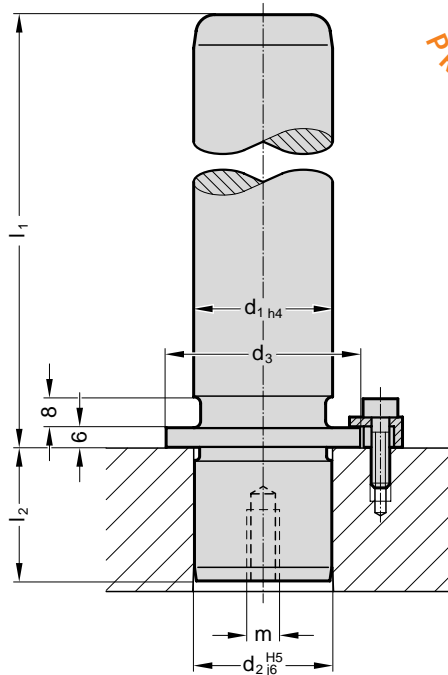


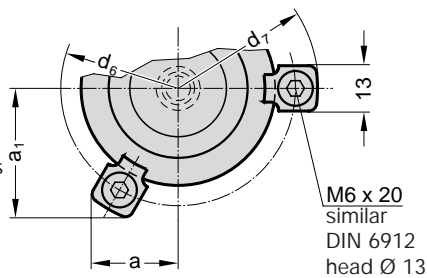


2021.29. Guide Pillar with Collar



207.45

Screw Clamps, incl. Screws
Order No for replacement parts



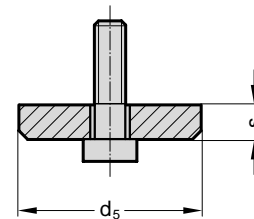
Ordering Code (example):

Guide Pillar with Collar	=	2021.29.
d ₁ = 32 mm	=	032.
l ₁ = 180 mm	=	180
Order No	=	2021.29.032.180

Note:

Guide pillars are recommended to be used only with sliding-type guides!

2021.43. Disc with Screw



Ordering Code (example):

Disc with Screw	=	2021.43.
d ₁ = 32 mm	=	032
Order No	=	2021.43.032

2021.29. / 2021.43.

d ₁	15	16	19	20	24	25	30	32	38	40	48	50	60	63	80
d ₂	15	16	19	20	24	25	30	32	38	40	48	50	60	63	80
d ₃	22	25	32	32	40	50	63	80	95						
d ₅	22	25	32	40	50	60	70	93							
d ₆	33	36	43	51	61	74	91	106							
d ₇	45,7	48,7	55,7	63,7	73,7	86,7	103,7	118,7							
a	15,9	16,6	18,4	20,4	29,2	33,8	39,8	46,2							
a ₁	21,7	23	26	29,5	29,2	33,8	39,8	46,2							
m	M8	M8	M8	M8	M8	M8	M8	M12							
s	6	6	6	6	6	6	6	12							
l ₂	20	23	30	37	37	47	47	60							
l ₁	100	●	●	●											
	112	●	●	●	●										
	125	●	●	●	●	●									
	140	●	●	●	●	●	●								
	160	●	●	●	●	●	●	●							
	180	●	●	●	●	●	●	●	●						
	200	●	●	●	●	●	●	●	●	●					
	224			●	●	●	●	●	●	●	●				
	250			●	●	●	●	●	●	●	●	●			
	280				●	●	●	●	●	●	●	●	●		
	315					●	●	●	●	●	●	●	●	●	
	355							●	●	●	●	●	●	●	
	400									●	●	●	●	●	

Order No. 2.5301.00.0605.01000

2021.29. Guide Pillar with Collar

Material: Steel, surface hardened
Surface Hardness: 60 + 4 HRC
Hardness Penetration: 1,5 + 1 mm