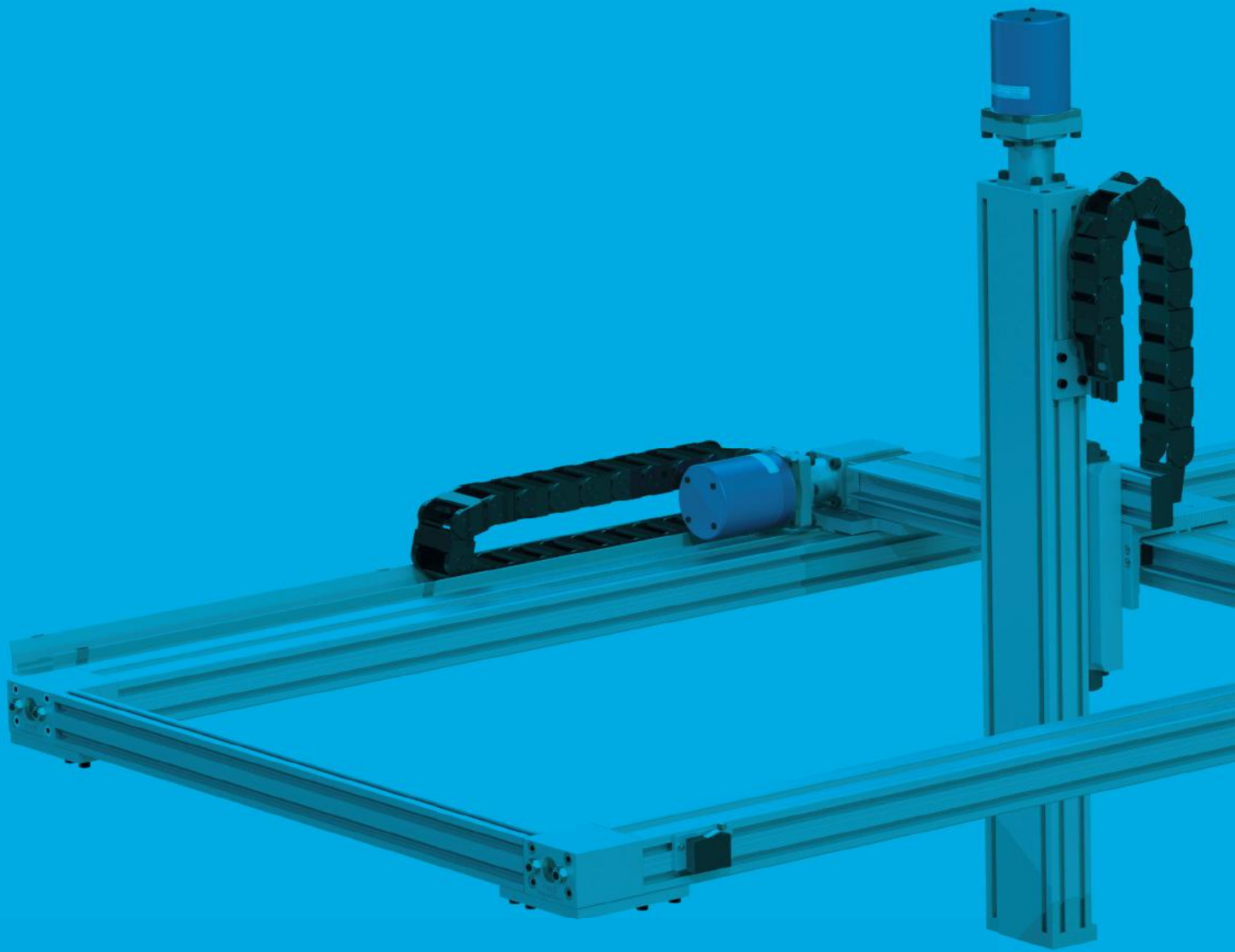


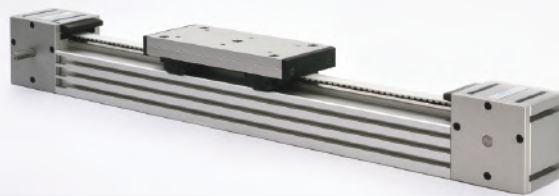


# LINEAR ACTUATORS



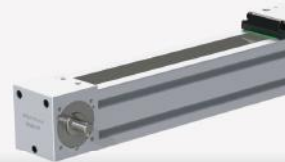
PDU2 Belt Driven Actuator

3

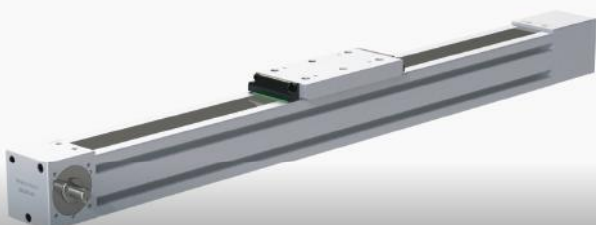


DLS Belt Driven Actuator

4

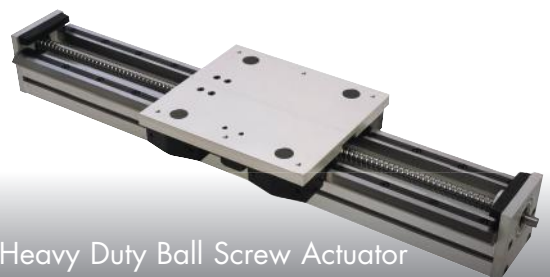


SBD Belt Driven Actuator



SDM Ball Screw Actuator

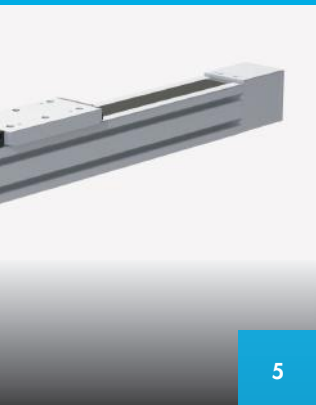
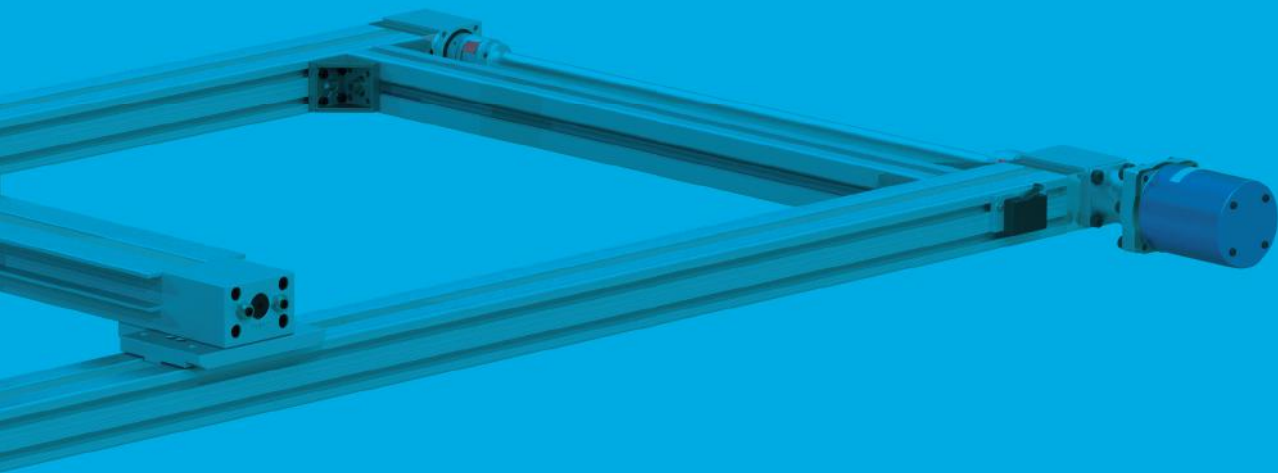
8



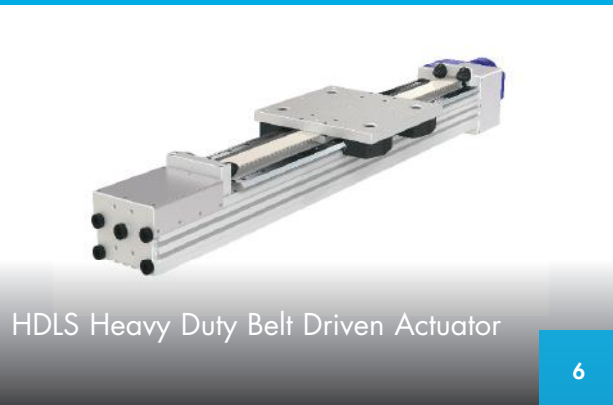
HDCS Heavy Duty Ball Screw Actuator

9

# LINEAR ACTUATORS



5



HDLS Heavy Duty Belt Driven Actuator

6



PSD Ball Screw Actuator

7



DAPDU2 Dual Action Actuator

10



HPS Pneumatic Actuator

10

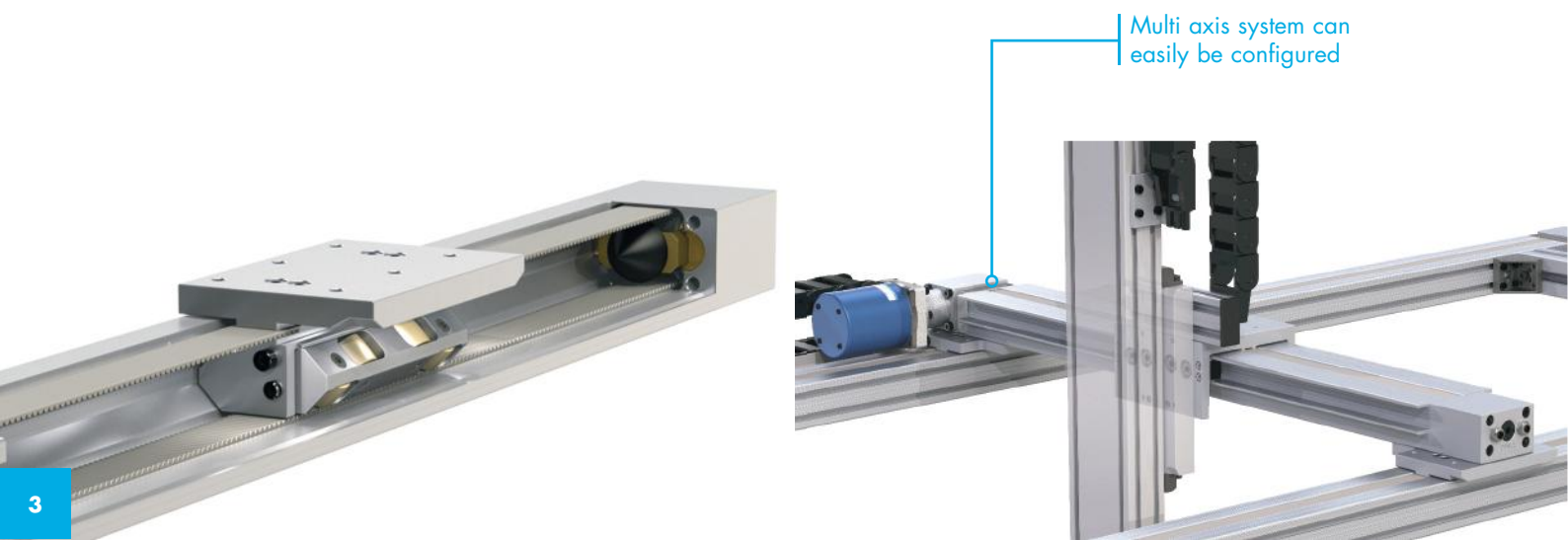
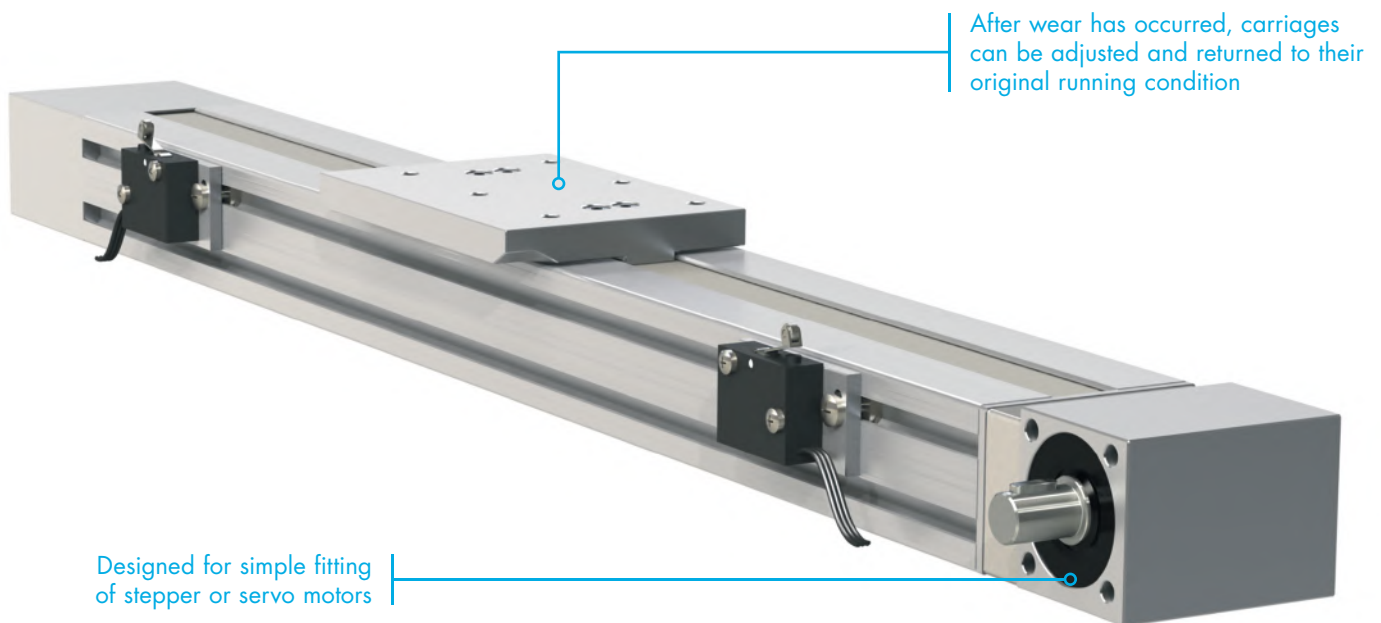
# PDU2 Belt Driven Actuator

Load Range 0 – 500N

Speeds 0 – 6m/s

HepcoMotion's PDU2 low maintenance linear actuator provides a superior combination of load capacity, speed and low friction characteristics. Designed to meet the needs of low cost linear applications, the PDU2 has such a long life that most units will outperform the life of the machine they are fitted to.

- Compact, ready to mount actuators in lengths of up to 6m
- No lubrication necessary, low maintenance, long service life
- Beam is available with or without T-slots
- Corrosion resistant version available



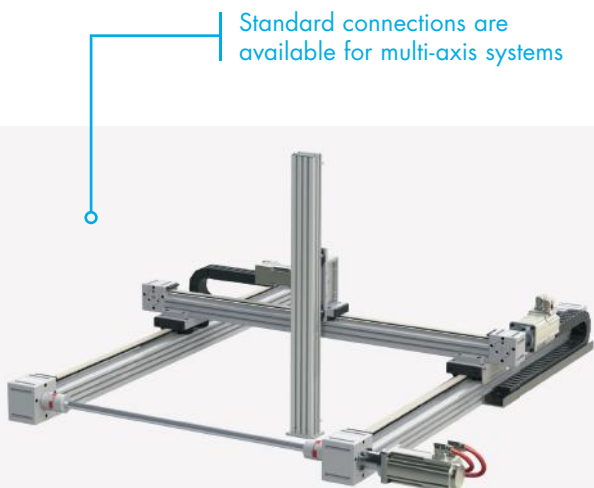
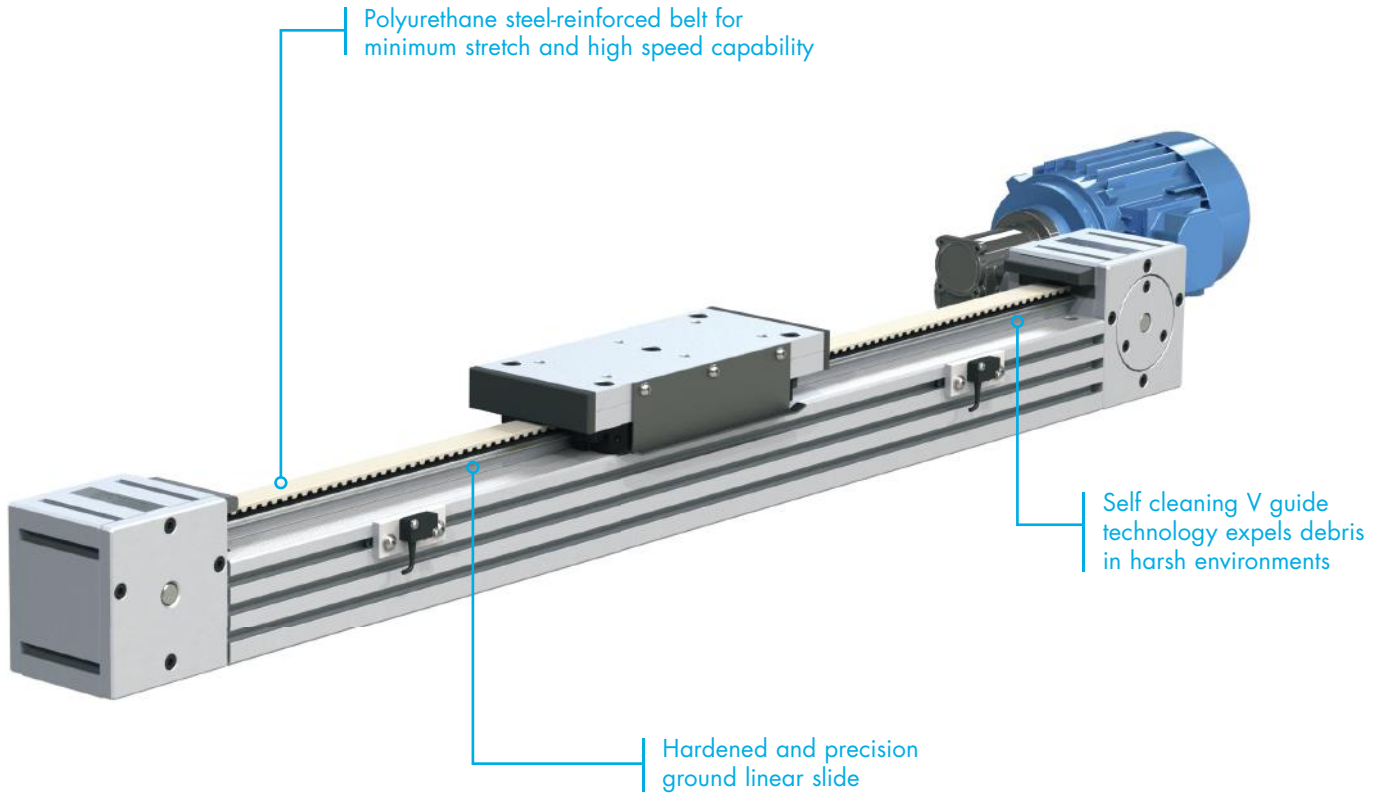
# DLS Belt Driven Actuator

Load Range 0 – 3,500N

Speeds 0 – 6m/s

HepcoMotion's DLS belt driven actuator will save hours in design and specifying time. The system comprises of a belt-driven linear actuator, AC motor/inverter package and a range of compact planetary gearboxes for use with servo motors. Options include a cantilever axis with lightweight beam, plus couplings and connecting shafts for actuators used in parallel.

- Actuators in any length up to 8m as standard, and even longer on application
- Double row cap sealed bearings provide long system life and low maintenance
- AC motor and controller option provides the means for simple positioning to suit most applications
- Planetary gearbox directly coupled for compact assembly
- Corrosion resistant version available
- Available in 3 sizes, DLS 3/4/5
- Cantilever option for Z axis movement



# SBD Belt Driven Actuator

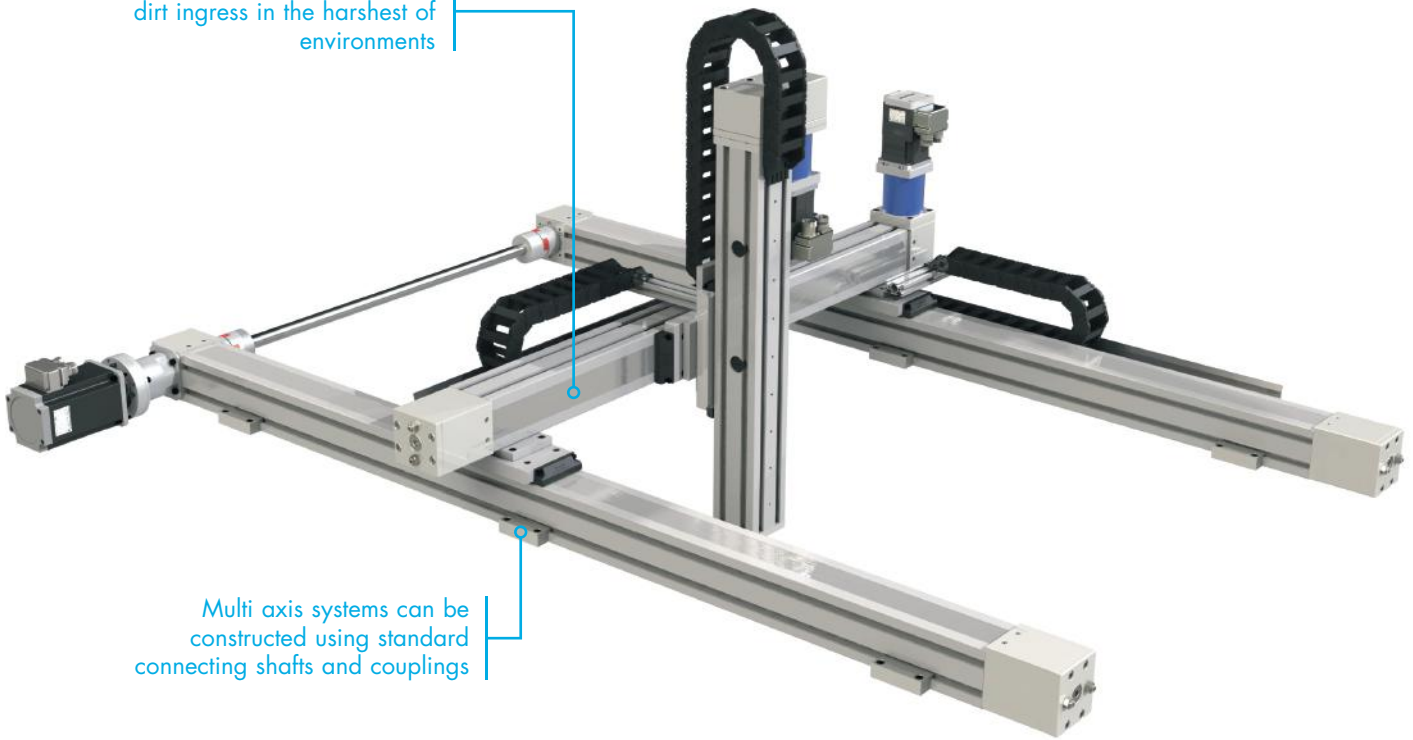
Load Range 0 – 13,760N

Speeds 0 – 4m/s

Utilising HepcoMotion's high capacity re-circulating ball guides, the SBD provides a higher load capacity than other comparable sized linear actuators. Moment load capacity is also improved and system life is longer in high duty applications.

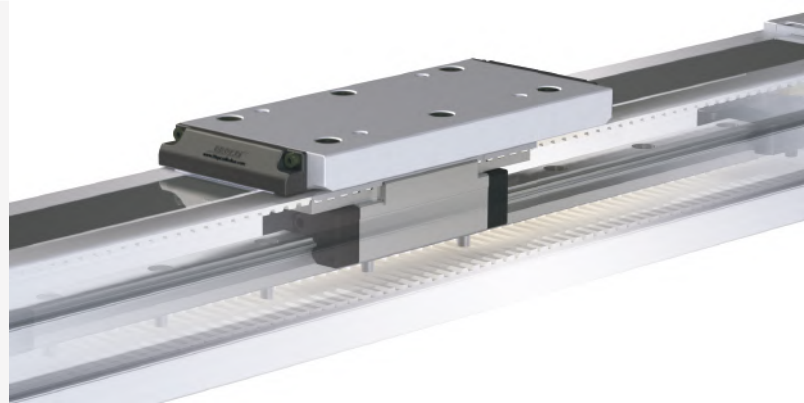
- Incorporates re-circulating guide technology for higher direct load applications
- Easy fitting of gearboxes/motors. Flange can be tailored to suit individual preferences
- Clean room and corrosion resistant versions available, ideal for scientific and electronic applications
- Product line incorporates deeper XL beam for long length applications where the beam is used as part of the structure

Stainless steel band prevents dirt ingress in the harshest of environments



Multi axis systems can be constructed using standard connecting shafts and couplings

Long carriage version for increased moment load



# HDLS Heavy Duty Belt Driven Actuator

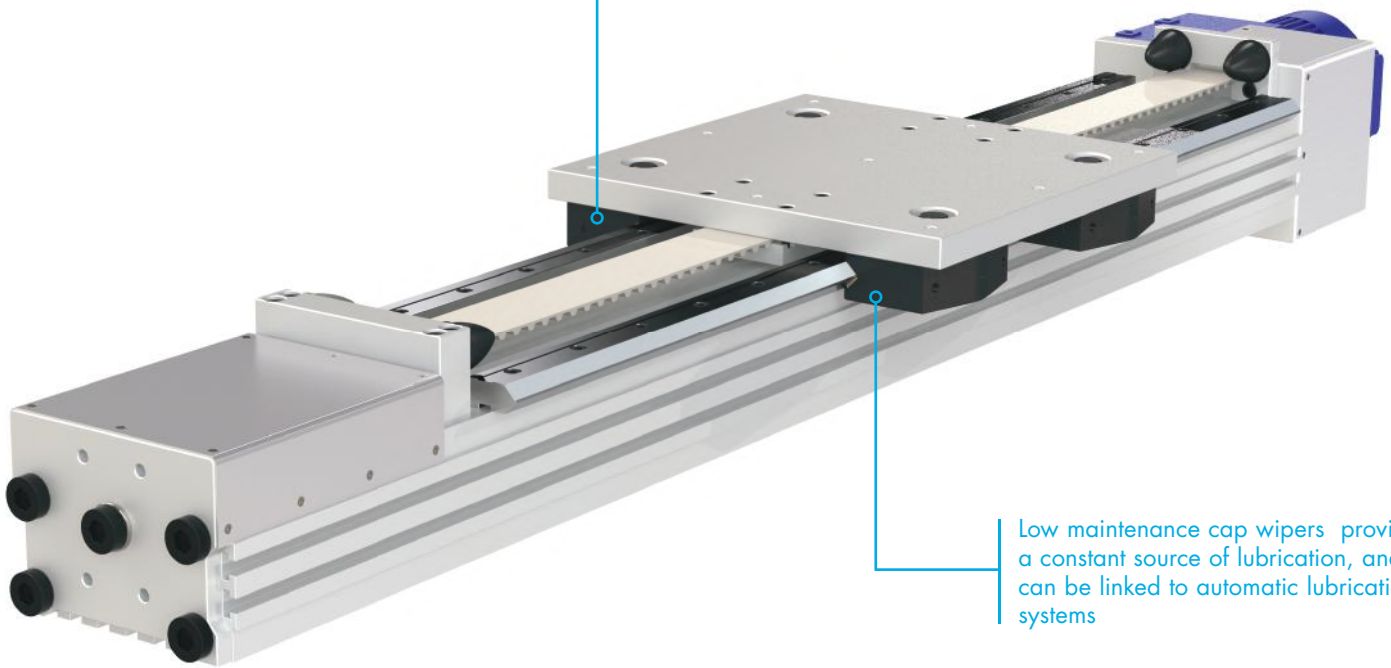
Load Range 0 – 28,000N

Speeds 0 – 6m/s

HepcoMotion's heavy duty actuator will handle heavy loads in a variety of conditions with minimal maintenance. It is popular in many automotive installations where constant, reliable running is vital, and also as part of heavy duty gantry systems.

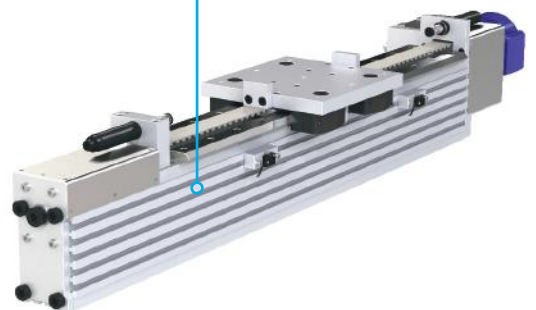
- The HDLS beam is strong enough to perform a gantry function. No additional support is required
- High driving forces ideal for automotive or other heavy duty transfer requirements
- Available with a range of steel reinforced belts ideal for lifting heavy loads
- Available with wider slide spacing to handle high offset loads
- Corrosion resistant version available

High capacity, durable, double row bearings from the HDS2 range give superior performance in harsh environments



Low maintenance cap wipers provide a constant source of lubrication, and can be linked to automatic lubrication systems

Either side of the HDLS mounting beam can be utilised according to functional requirements



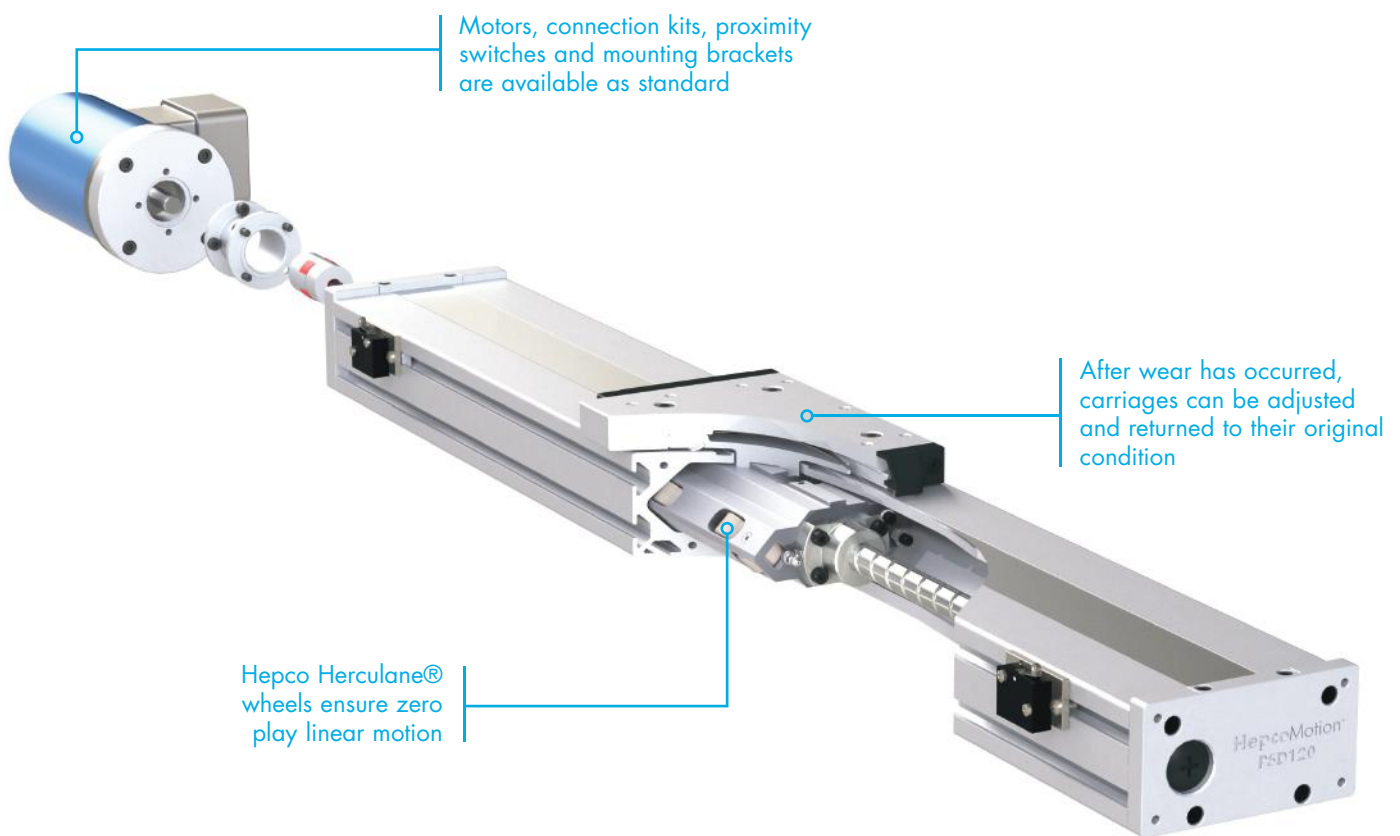
# PSD Ball Screw Actuator

Load Range 0 – 700N

Speeds 0 – 8m/s

HepcoMotion's PSD lightweight screw driven actuator is a space saving, ready to mount system available in 80mm (PDS80) or 120mm (PDS120) units. They can be used as single or multi axis units and are particularly useful in Z-axis applications.

- Can be used as a single axis unit, or part of a multi axis system
- Works well in Z-axis applications
- Available with ball screw or lead screw drive, and a wide range of screw pitches
- Stainless steel cover effectively seals the unit from debris
- Double acting PSD80 available





# SDM Ball Screw Actuator

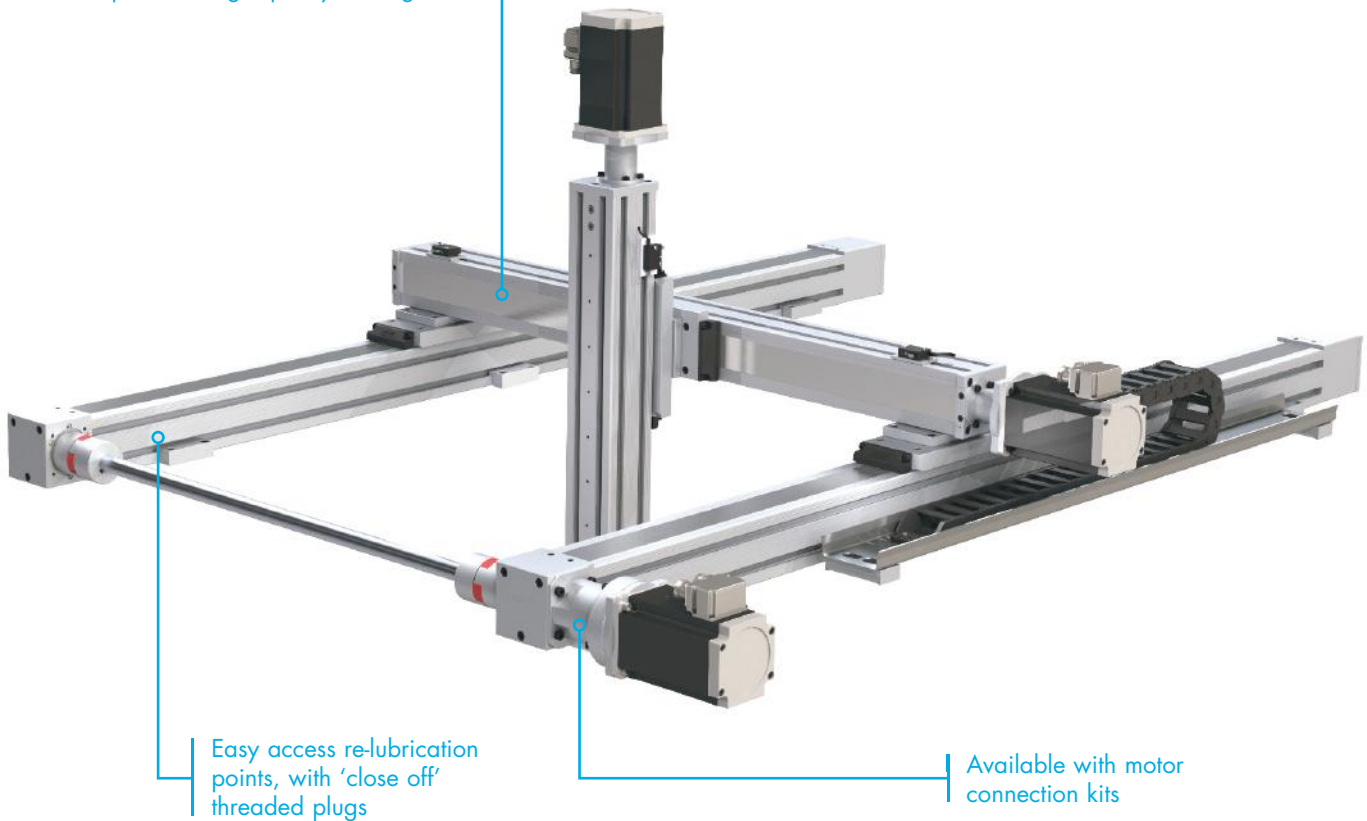
Load Range 0 – 13,760N

Speeds 0 – 1m/s

HepcoMotion's SDM ball screw actuator incorporates a ball screw drive to provide additional linear precision and force. High quality sealing is provided thanks to a very effective stainless steel band running along the length of the beam. Two actuator sizes are available as standard; 20-80 & 30-100.

- Five ball screw pitches available as standard 16x5, 16x10, 16x16, 20x5 and 20x20
- Actuators supplied up to 2800mm in one piece
- Uses caged linear ball guides suitable for high loads
- Long carriage option has two bearing blocks for increased capacity
- Clean room versions available suited to food, medical, scientific and electronics industries

The stainless steel band along the length of the beam provides high quality sealing



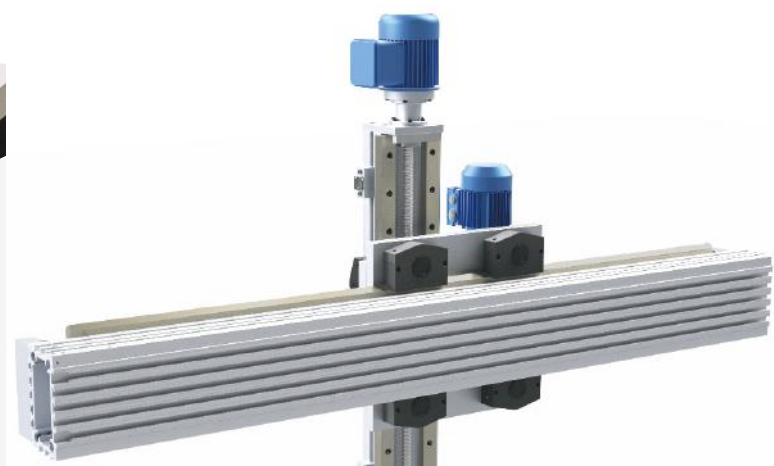
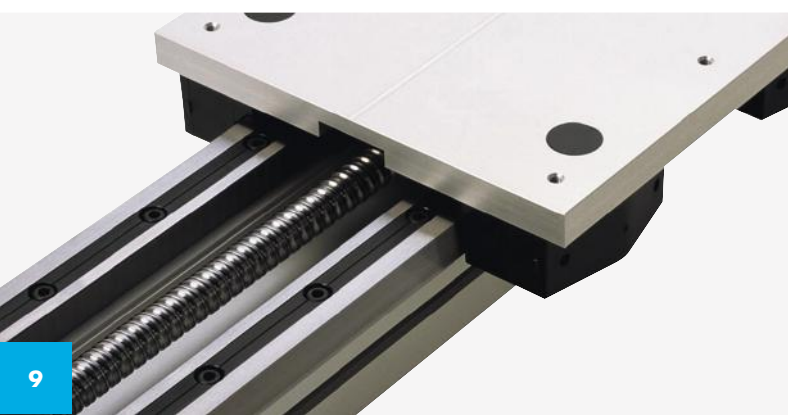
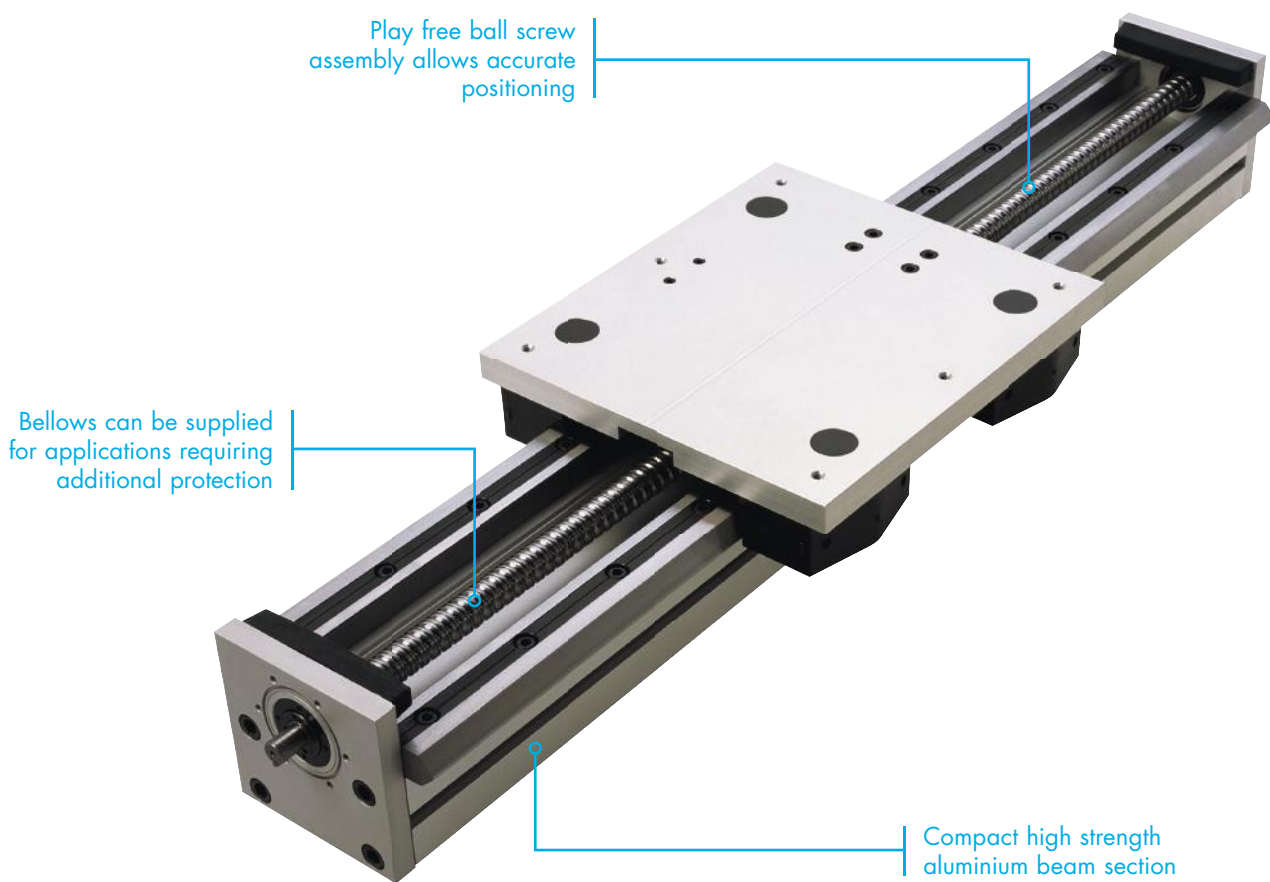
# HDCS Heavy Duty Ball Screw Actuator

Load Range 0 – 28,000N

Speeds 0 – 5m/s

This HDCS actuator is designed for the precise actuation of high loads. It can be used as a stand-alone X-axis, or as a Z-axis with the beam as a moving element.

- Lengths up to 2740mm as standard
- High capacity  $\varnothing$  64mm or  $\varnothing$  95mm bearings provide smooth motion and high load capacity
- Cap wipers provide a constant source of lubrication and reduce the need for maintenance
- Corrosion resistant version available



# DAPDU2 Dual Action Actuator

Load Range 0 – 500N

Speeds 0 – 6m/s

The DAPDU2 actuator provides a low maintenance solution for systems that require opening and closing movements. These include automated architectural and machine tool applications such as windows, doors and other mechanisms.

- Multi-carriage arrangements possible for wider door applications
- High strength beam with T-slots to suit aluminium profiles
- Flat or angled carriage plate for easy mounting
- Can operate at high speeds and with low friction
- Simple belt adjustment
- Internal buffers for end of stroke protection



# HPS Pneumatic Linear Actuator

Load Range 0 – 4,000N

Speeds 0 – 4m/s

The HPS pneumatic linear actuator combines HepcoMotion's proven V Guide technology with an extensive range of high quality pneumatic rodless cylinders.

- Supplied ready to mount
- Self supporting structure for simple installation
- Performs well in harsh environments
- Can take loads in any direction
- Cap sealed bearings for long life and low maintenance
- Proximity switches for end or mid stroke sensing
- Connection brackets for mounting to aluminium profiles
- Corrosion resistant options are available





HepcoMotion®  
Lower Moor Business Park  
Tiverton Way, Tiverton  
Devon, England EX16 6TG

Tel: +44 (0)1884 257000  
Fax: +44 (0)1884 243500  
E-mail: sales@hepcotion.com

CATALOGUE No. LA FPL 01 ROTW © 2017 Hepco Slide Systems Limited  
All rights reserved by Hepco Slide Systems Limited, Tiverton, Devon EX16 6TG

Reproduction in whole or part without prior authorisation from Hepco is prohibited  
HepcoMotion® is the trading name of Hepco Slide Systems Limited