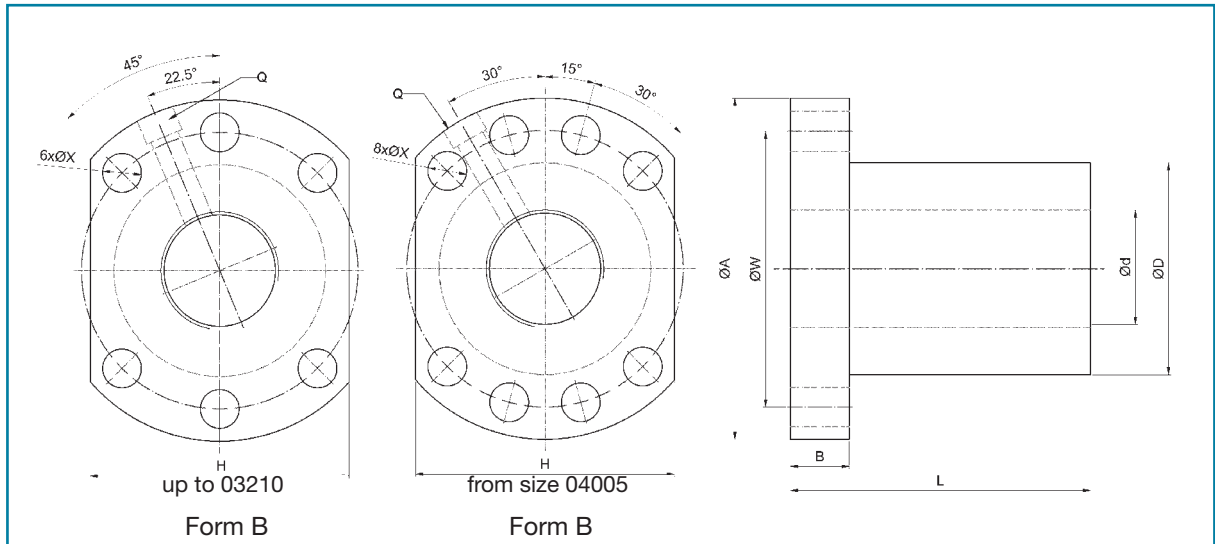


# Standard programme

## Ball nut

**Type SU** single flange nut to DIN 69051, for rolled screws



Size	Thread	Dimensions [mm]												Number*	Load rating [kN]		Stiffness K [N/µm]
		d	p	Ball-Ø	D g6	A	B	L	W	H	X	Q	dyn. C <sub>a</sub>		stat. C <sub>a0</sub>		
01604-4	R	16	4	2,381	28	48	10	40	38	40	±0,15	5,5	M6	4	9,54	23,59	314
<b>01605-4</b>	R/L		5	3,175	28	48	10	50	38	40	±0,15	5,5	M6	4	13,53	29,93	314
<b>01610-3</b>	R		10	3,175	28	48	10	57	38	40	±0,15	5,5	M6	3	10,82	23,55	255
02004-4	R	20	4	2,381	36	58	10	42	47	44	±0,15	6,6	M6	4	10,45	29,29	372
<b>02005-4</b>	R/L		5	3,175	36	58	10	51	47	44	±0,15	6,6	M6	4	15,21	38,00	382
02504-4	R	25	4	2,381	40	62	10	42	51	48	±0,15	6,6	M6	4	11,58	37,22	421
<b>02505-4</b>	R/L		5	3,175	40	62	10	51	51	48	±0,15	6,6	M6	4	16,91	48,09	441
<b>02510-4</b>	R		10	4,762	40	62	12	85	51	48	±0,15	6,6	M6	4	28,96	71,54	490
03204-4	R	32	4	2,381	50	80	12	44	65	62	±0,15	9,0	M6	4	12,71	47,44	500
<b>03205-4</b>	R/L		5	3,175	50	80	12	52	65	62	±0,15	9,0	M6	4	18,85	62,21	529
<b>03210-4</b>	R/L		10	6,350	50	80	12	90	65	62	±0,15	9,0	M6	4	47,12	119,72	598
<b>04005-4</b>	R/L	40	5	3,175	63	93	14	55	78	70	±0,15	9,0	M8	4	20,69	78,34	617
<b>04010-4</b>	R/L		10	6,350	63	93	14	93	78	70	±0,15	9,0	M8	4	52,95	152,00	715
<b>05010-4</b>	R/L	50	10	6,350	75	110	16	93	93	85	±0,15	11,0	M8	4	58,88	192,35	833
<b>06310-4</b>	R	63	10	6,350	90	125	18	98	108	95	±0,15	11,0	M8	4	65,89	248,68	970
<b>06320-4</b>	R		20	9,525	95	135	20	149	115	100	±0,15	13,5	M8	4	112,23	359,44	1098
<b>08010-4</b>	R	80	10	6,350	105	145	20	98	125	110	±0,15	13,5	M8	4	72,04	313,36	1068
<b>08020-4</b>	R		20	9,525	125	165	25	154	145	130	±0,20	13,5	M8	4	126,61	468,24	1352

Ball nut sizes shown in bold are available ex stock.

\* Number of circuits

P-Pitch